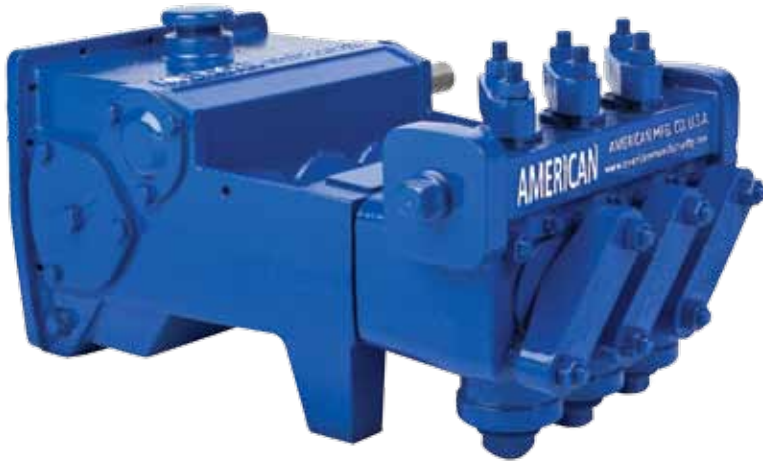


AL09 Piston Pump Data

11.6 BHP Continuous Duty (13.8 BHP Intermittent Duty)



Specifications

Pump Model	AL0918
Configuration	Horizontal Triplex Piston
Number of Pistons	3
Stroke Length	2.25 Inches (57.2 mm)
Frame Load Rating	2800 lbs. (1,270 kg)
Pump Weight	200 lbs. (90.7 kg)
Direction of Rotation	Top of Shaft away from head
Internal Gear Rotation	3.6:1
Intermittent Duty Speed Rating	890 RPM (Jackshaft)
Continuous Duty Speed Rating	750 RPM (Jackshaft)
Ball Valve Max Speed Rating	625 RPM
Minimum Speed	360 RPM
Mechanical Efficiency	85%
Lubrication System	Splash, Gravity Return
Lube Oil Capacity	2.25 Quarts
Lube Oil Type	SAE 30
Maximum Fluid Temperature	140 °F (250 °F Capability)
Minimum Fluid Temperature	0 °F (-20 °F Capability)
Standard Suction Size	1.50 Inch NPT (38.1 mm)
Standard Discharge Size	1.00 Inch NPT (25.4 mm)
Fluid End Material	Cast Iron
Valve Type	Disc Valve / Ball Valve
Hydraulic Motor Mount	SAE C - 4 Bolt with 1.25"-14T

Performance Rating

Pump Model	Diameter		Displacement/REV		Maximum Pressure		Pump Capacity @ Input Speed (RPM)									
	Inch	mm	Gallon	Liter	PSI	kg/cm ²	350 RPM		625 RPM		700 RPM		750 RPM		890 RPM	
							gpm	lpm	gpm	lpm	gpm	lpm	gpm	lpm	gpm	lpm
AL0918	2.25	57.2	0.0323	0.122	700	49.2	11.3	43	20.2	76	22.6	86	24.2	92	28.7	109

Specifications subject to change without notice.

Horsepower is based on 85 or 90% efficiency. Actual application horsepower requirements can be calculated using this equation: $BHP = (GPM * PSI) / (1714 * 0.85 \text{ or } 0.90)$ Pump capacities listed are based on 100% volumetric efficiency.

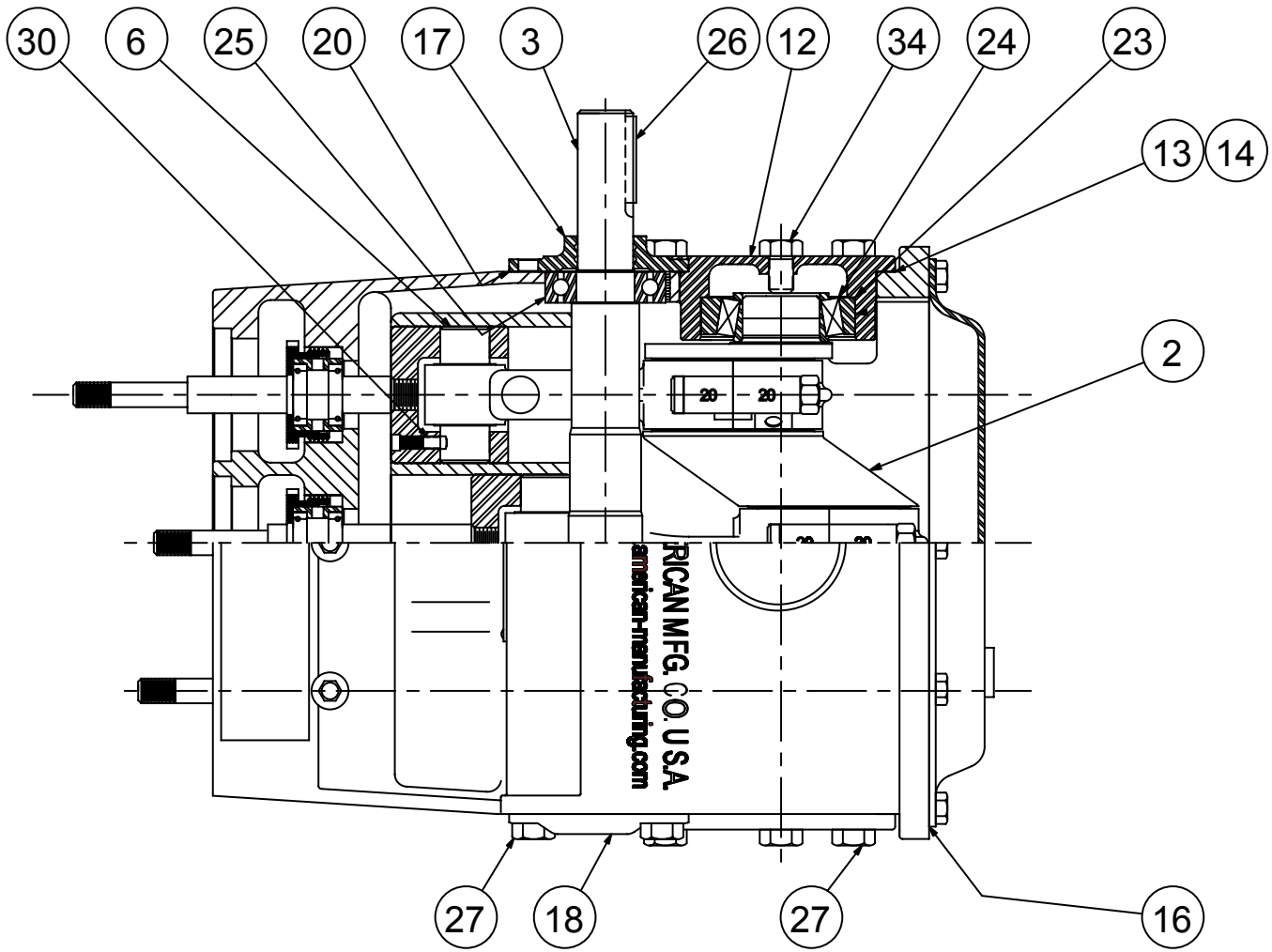
This document contains American Mfg Company proprietary and confidential information. It is loaned for limited purposes only and remains the property of American Mfg Company. It may not be reproduced in whole or part or disclosed to third parties without the prior written consent of American Mfg Company. The document is to be returned to American Mfg Company upon request and in all events upon completion of the use for which it was used.

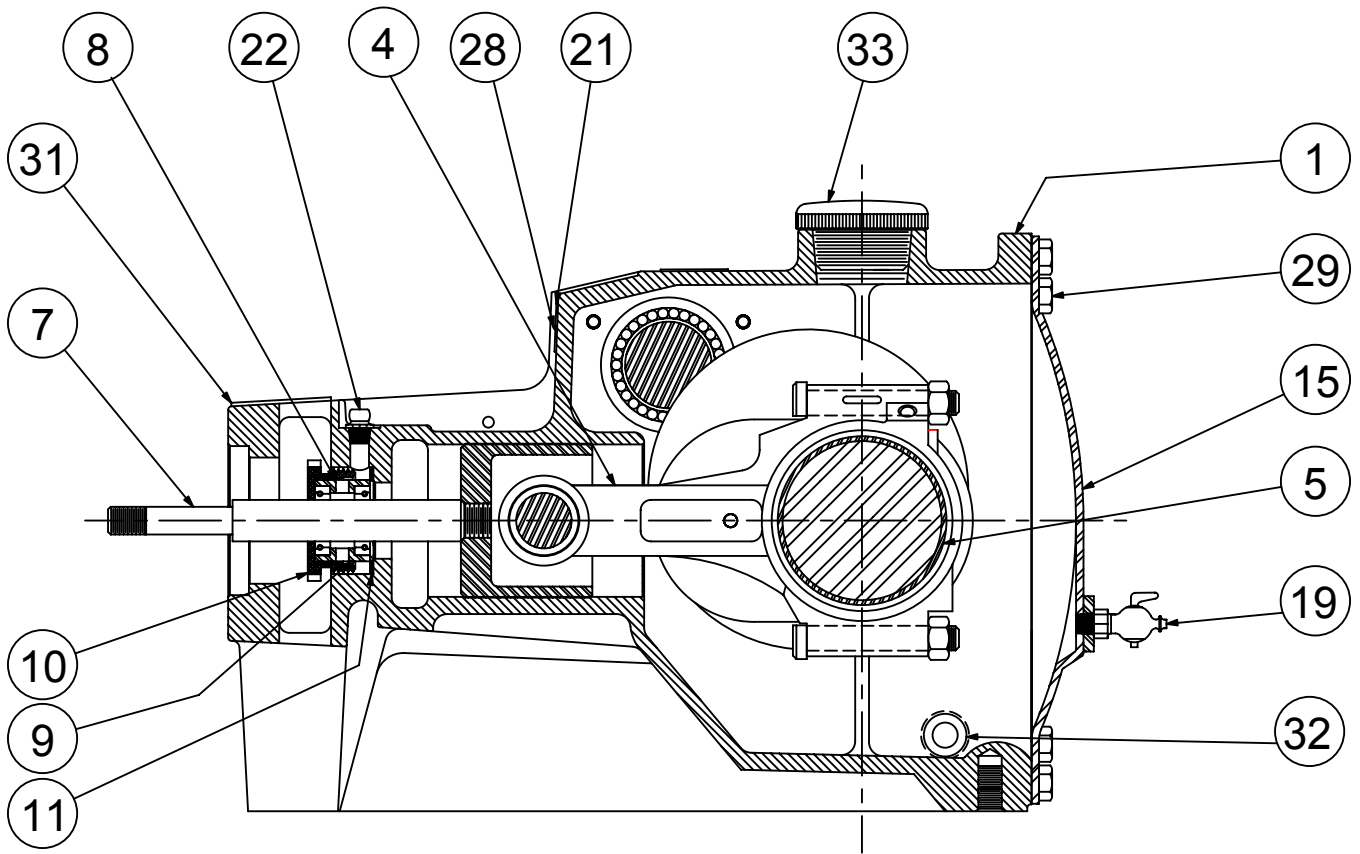


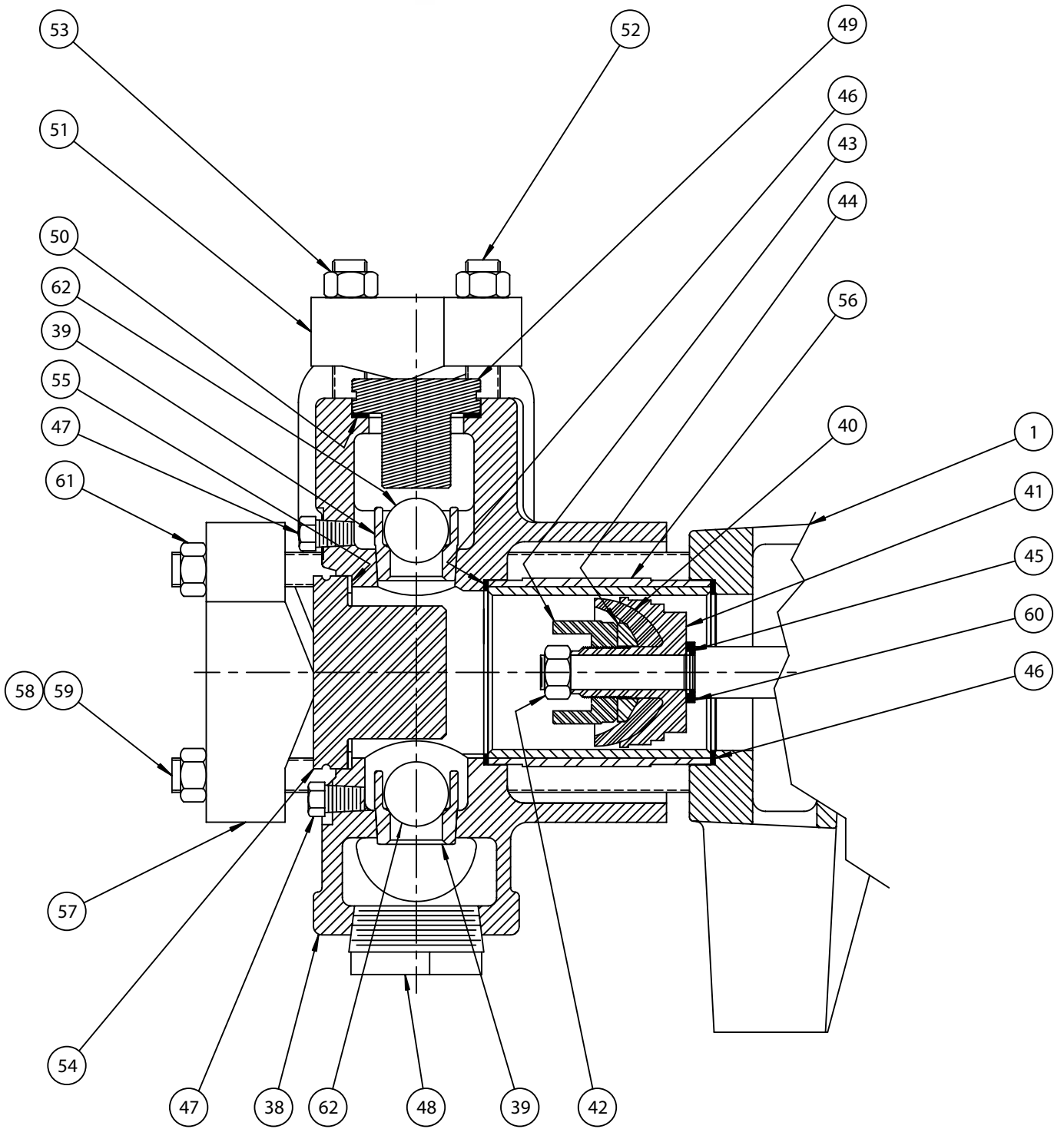
AL0918BCD Component Item Numbers

Item #	Component Description	Part #	Qty
1	Power Frame	PPFMC 5260537	1
2	Crankshaft	PPFMC 1279071	1
3	Pinion Shaft	PPFMC 1265098	1
4	Connecting Rod Assembly	PPFMC 18710	3
5	Rod Bearing	PPFMC P506697	3
6	Wrist Pin	PPFMC A5006	3
7	Crosshead Assembly	PPFMC 1250876	3
8	Seal Holder	PPFMC 1283601	3
9	Oil Seal, Piston Rod	PPFMC 1283603	6
10	Seal Retainer Nut	PPFMC 1283600	3
11	Gasket, Seal Retainer	PPFMC 1283602	3
12	Bearing Housing, Blind	PPFMC 1279064	2
13	Shim, Bearing Housing	PPFMC 1252594	5
14	Gasket, Bearing Housing	PPFMC A5025	2
15	Back Cover	PPFMC 1279063	1
16	Gasket, Back Cover	PPFMC 1279065	1
17	Pinion Housing, Drive	PPFMC A5005	1
18	Pinion Housing, Blind	PPFMC 1225769	1
19	Petcock	PPFMC 1187039	1
20	Gasket, Pinion	PPFMC A5026	2
21	Nameplate	PPFMC 5262738	1
22	Lube Fitting	PPFMC 1100759	3
23	Bearing Cone, Crank	PPFMC 1101242	2
24	Bearing Cup, Crank	PPFMC 1177287	2
25	Bearing, Pinion	PPFMC 1104444	2
26	Key	PPFMC 1187577	1
27	Cap Screw, Pinion Bearing	PPFMC 1100068	12
28	Screw	PPFMC 1187413	2
29	Cap Screw, Back Cover	PPFMC 1106910	14
30	Set Screw	PPFMC 1103470	3

Item #	Component Description	Part #	Qty
31	Plate, Inspection	PPFMC 1214260	1
32	Pipe Plug, Power End	PPFMC 1187048	2
33	Filler Cap or Vent	PPFMC A5054	1
34	Screw	PPFMC 1106980	2
38	Fluid Chamber	PPFMC 1255266	1
39	Valve Seat	PPFMC 1225327	6
40	Piston Cup	PPFMC 5260052	3
41	Piston Holder	PPFMC 8495	3
42	Hex Nut	PPFMC 8309	3
43	Nut Retainer	PPFMC A5016	3
44	Piston Retainer	PPFMC 1207289	3
45	O-Ring, Rod Seal	PPFMC 1101176	3
46	Gasket, Fluid Chamber	PPFMC 1280024	6
47	Plug, Pipe	PPFMC P501267	6
48	Plug, Suction	PPFMC 1105105	2
49	Valve Cover	PPFMC A5003	3
50	Gasket, Valve Cover	PPFMC 1280026	3
51	Clamp, Valve Cover	PPFMC 1271716	3
52	Stud, Valve Cover	PPFMC A5012	6
53	Hex Nut, Valve Cover	PPFMC 1121511	6
54	Cylinder Cover	PPFMC A5002	3
55	Gasket, Cylinder Cover	PPFMC 1280025	3
56	Cylinder	PPFMC 1272060	3
57	Clamp, Cylinder	PPFMC 1271415	3
58	Stud, Cylinder Cover	PPFMC A5011	6
59	Stud	PPFMC A5009	2
60	Seal Holder	PPFMC 1281655	3
61	Hex, Nut, Cylinder	PPFMC 1121511	8
62	Ball	PPFMC 1101418	6



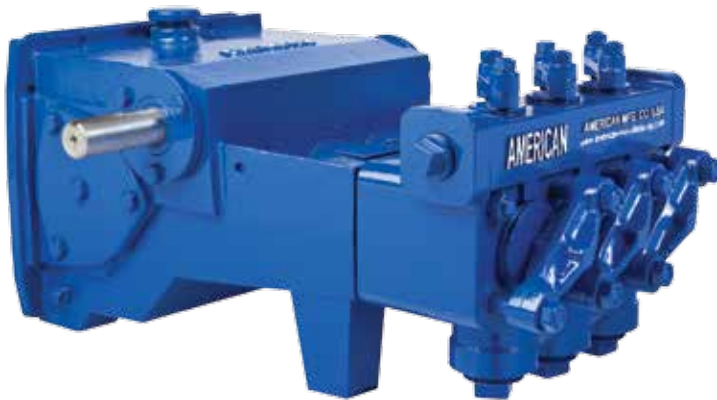






AW11 Piston Pump Data

30 BHP Continuous Duty (36 BHP Intermittent Duty)



Specifications	
Pump Model	AW1118, AW1122
Configuration	Horizontal Triplex Piston
Number of Pistons	3
Stroke Length	2.75 Inches (69.9 mm)
Frame Load Rating	6000 lbs. (2,721 kg)
Pump Weight	425 lbs. (197 kg)
Direction of Rotation	Top of Shaft away from head
Internal Gear Rotation	3.6:1
Intermittent Duty Speed Rating	900 RPM (Jackshaft)
Continuous Duty Speed Rating	750 RPM (Jackshaft)
Ball Valve Max Speed Rating	635 RPM (Jackshaft)
Minimum Speed	360 RPM
Mechanical Efficiency	85%
Lubrication System	Splash, Gravity Return
Lube Oil Capacity	1 Gallon
Lube Oil Type	SAE 30
Maximum Fluid Temperature	140°F (250° Capability)
Minimum Fluid Temperature	0°F (-20° Capability)
Standard Suction Size	2.00 Inch NPT (50.8 mm)
Standard Discharge Size	1.25 Inch NPT (31.8 mm)
Fluid End Material	Ductile Iron
Valve Type	Disc Valves/Ball Valves
Hydraulic Motor Mount	SAE C - 4 Bolt with 1.25"-14T

Performance Rating

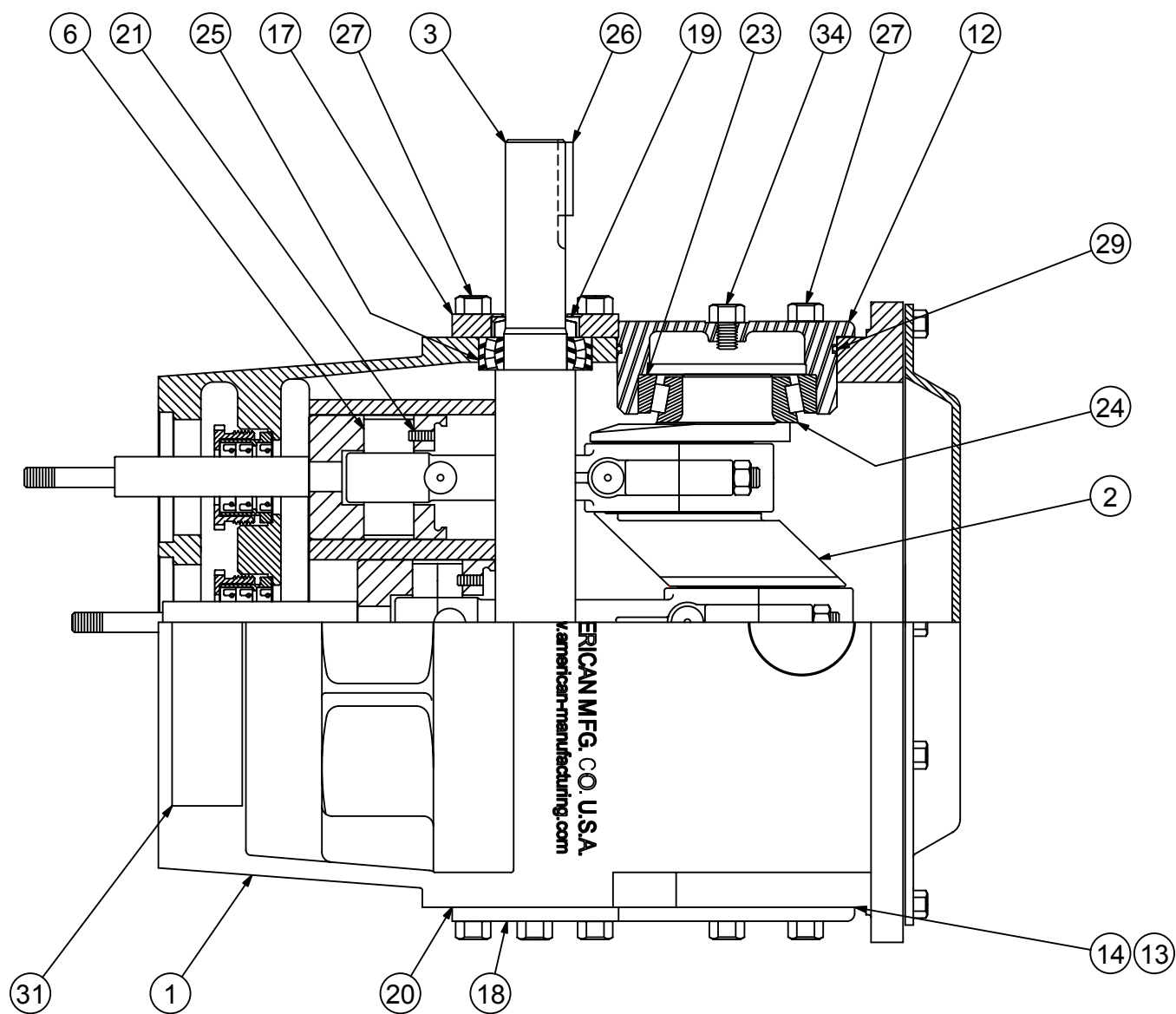
Pump Model	Piston		Displacement/REV		Maximum Pressure		Pump Capacity @ Input Speed (RPM)									
							350 RPM		500 RPM		635 RPM		750 RPM		900 RPM	
							Inch	mm	Gallon	Liter	PSI	kg/cm ²	gpm	lpm	gpm	lpm
AW1118	2.25	57.2	0.0394	0.149	1,000	70.3	13.8	52.2	19.7	74.6	25	94.6	29.6	112	35.5	134.4
AW1122	2.75	69.9	0.0589	0.223	1,000	70.3	20.6	78	29.5	112	37.4	142	44.2	167	53	201

Specifications subject to change without notice.

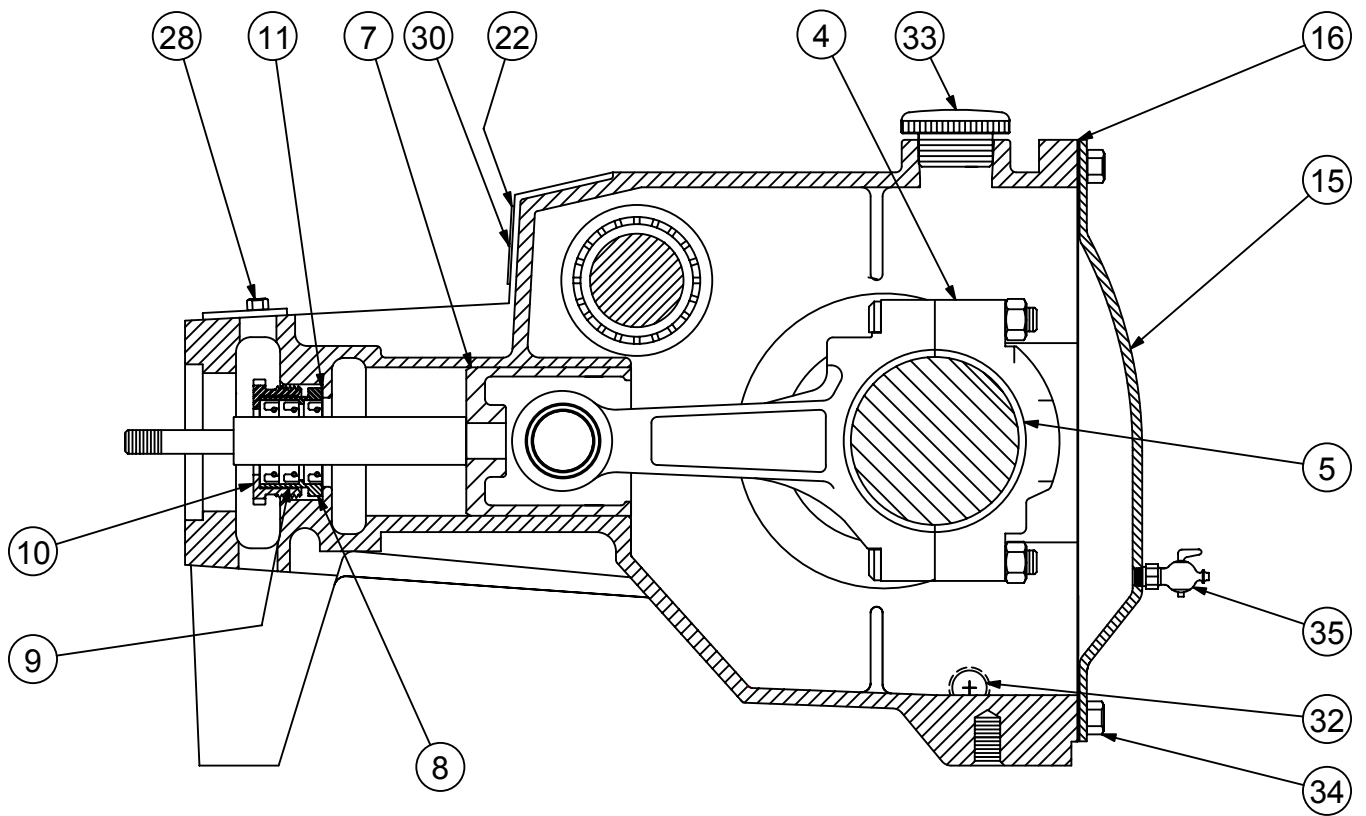
Horsepower is based on 85 or 90% efficiency. Actual application horsepower requirements can be calculated using this equation: $BHP = (GPM * PSI) / (1714 * 0.85 \text{ or } 0.90)$ Pump capacities listed are based on 100% volumetric efficiency.

This document contains American Mfg Company proprietary and confidential information. It is loaned for limited purposes only and remains the property of American Mfg Company. It may not be reproduced in whole or part or disclosed to third parties without the prior written consent of American Mfg Company. The document is to be returned to American Mfg Company upon request and in all events upon completion of the use for which it was used.

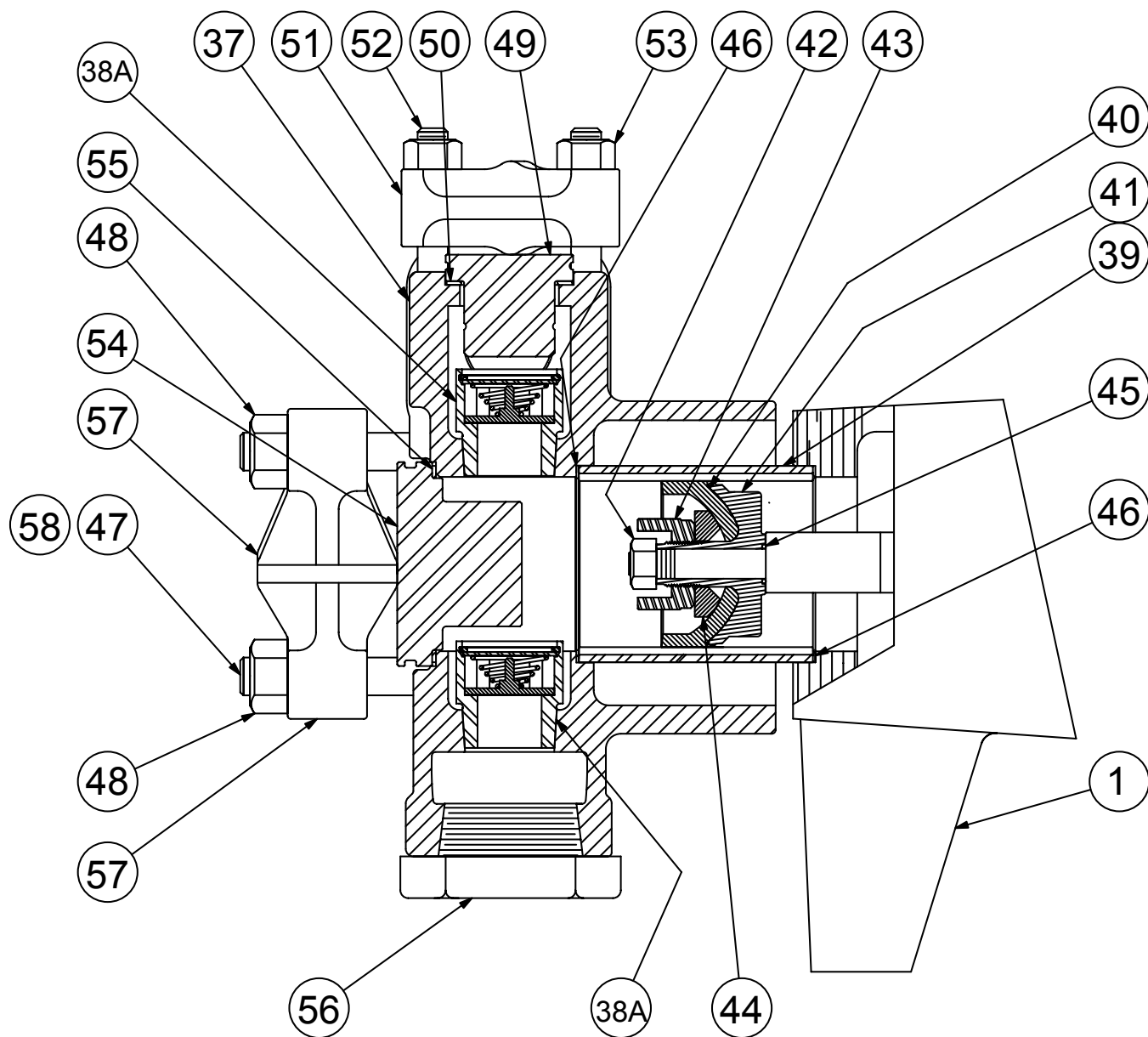




Power End Components



Power End Components



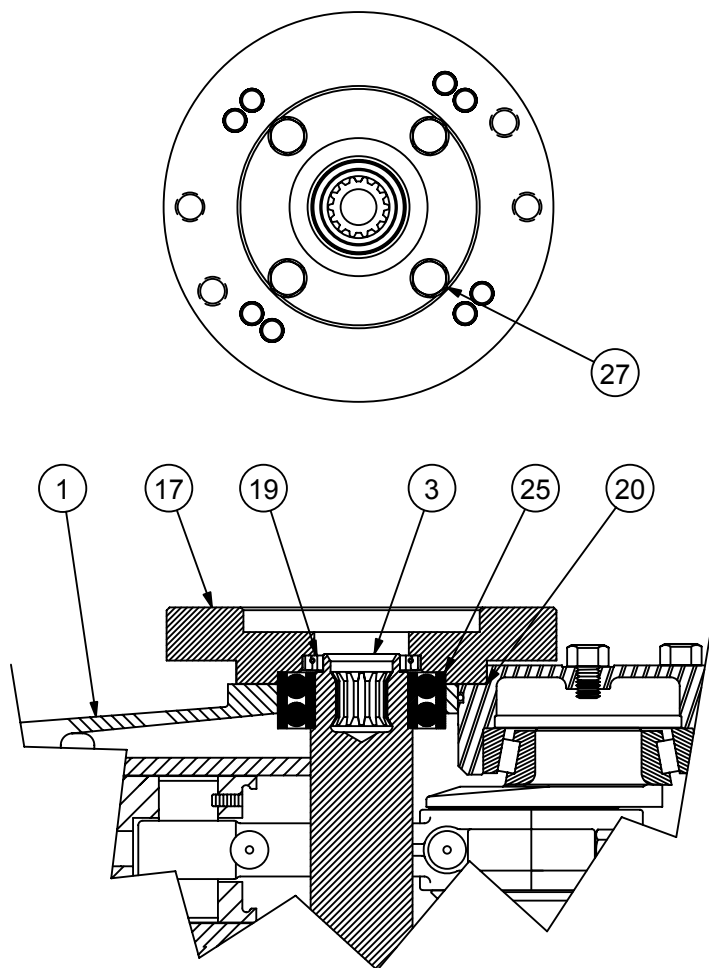
Fluid End Components

AW1122 Component Item Numbers

Item #	Component Description	Part #	Qty	Item #	Component Description	Part #	Qty
1	Power Frame	PPFMC 5257698	1	30	Screw, Self Tapping	PPFMC 1187413	2
2	Crankshaft	PPFMC 1285094	1	31	Plate, Inspection	PPFMC 5260567	1
3	Pinion Shaft	PPFMC P511596	1	32	Pipe Plug, Power End	PPFMC 1187048	2
4	Connecting Rod Assembly	PPFMC 5266814	3	33	Filler Cap or Vent	PPFMC A5054	1
5	Rod Bearing	PPFMC P514965	3	34	Screw	PPFMC 1106980	20
6	Wrist Pin	PPFMC A91014	3	35	Petcock	PPFMC 1187039	1
7	Crosshead Assembly	PPFMC 1252939	3	37	Fluid Chamber	PPFMC 1284777	1
8	Seal Holder	PPFMC 3268369	3	38A	Disc Valve Assembly*	PPFMC 1278104	6
9	Oil Seal, Piston Rod	PPFMC 1177489	9	38B	Valve seat**	PPFMC 1284740	6
10	Seal Retainer Nut	PPFMC 1266323	3	38B	Valve Ball**	PPFMC 1101419	6
11	Gasket, Seal Retainer	PPFMC 3268418	3	39	Cylinder	PPFMC 1267586	3
12	Bearing Housing, Blind	PPFMC 1248369	2	40	Piston Cup	PPFMC A268N	3
13	Shim, Bearing Housing	PPFMC 1252595	6	41	Piston Holder	PPFMC A91663	3
14	Gasket, Bearing Housing	PPFMC A91675	2	42	Hex Nut	PPFMC 8309	3
15	Back Cover	PPFMC P508969	1	43	Plunger Nut	PPFMC A5016	3
16	Gasket, Back Cover	PPFMC P508966	1	44	Piston Retainer	PPFMC 1216753	3
17	Pinion Housing, Drive	PPFMC 5257338	1	45	O-Ring, Rod Seal	PPFMC 1101176	3
18	Pinion Housing, Blind	PPFMC P508916	1	46	Gasket, Fluid Cylinder	PPFMC 1279676	6
19	Oil Seal, Rotating	PPFMC 5257339	1	47	Stud, Fluid Cylinder	PPFMC A91672	2
20	Gasket, Pinion	PPFMC A91674	2	48	Hex Nut	PPFMC 1121513	8
21	Screw Set	PPFMC 1182004	3	49	Valve Cover	PPFMC 1285113	3
22	Name Plate*	PPAM A000441000	1	50	Gasket, Valve Cover	PPFMC 1279675	3
22	Name Plate**	PPFMC 5277981	1	51	Clamp, Valve Cover	PPFMC A80391	3
23	Bearing Cone, Crank	PPFMC 1177473	2	52	Stud, Valve Cover	PPFMC A5076	6
24	Bearing Cup, Crank	PPFMC 1177474	2	53	Hex Nut, Valve Cover	PPFMC 1121511	6
25	Bearing, Pinion	PPFMC P511746	2	54	Cylinder Cover	PPFMC 1285112	3
26	Key	PPFMC 1104349	1	55	Gasket, Cylinder Cover	PPFMC 1279674	3
27	Cap screw, Pinion Bearing	PPFMC 1100054	12	56	Suction Plug	PPFMC 1105121	3
28	Cap Screw, Inspection Plate	PPFMC 1100804	2	57	Clamp, Cylinder	PPFMC A80392	3
29	O-Ring, Bearing	PPFMC 3226710	2	58	Stud, Cylinder Cover	PPFMC 1279602	6

* AW1122D
** AW1122BCD

Table 4: Component Item Numbers



Spline Shaft Components

Item #	Component Description	Part #	Qty
1	Power Frame	PPFMC 3269402	1
3	Pinion Shaft Splined	PPFMC 3269385	1
17	Motor Mounting Plate	PPFMC 3269351	1
19	Oil Seal	PPFMC 3269370	1
20	Gasket	PPFMC 3269398	2
25	Bearing	PPFMC 3269369	2
27	Screw	PPFMC 3268086	4

Spline Shaft Component Item Numbers